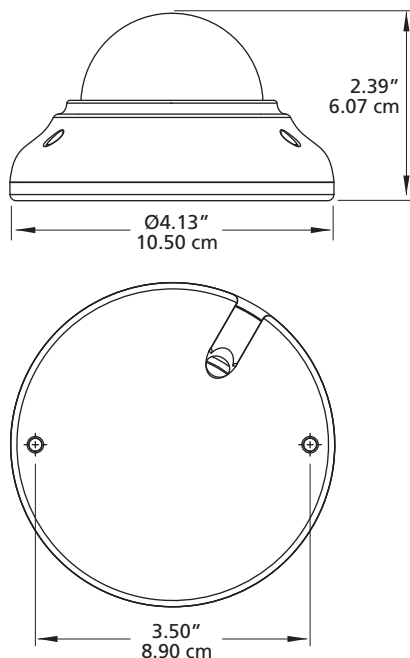


CA2 IR MicroDome

High-definition (HD) analog dome with IR and WDR, for indoor and outdoor applications



For customers who need high-definition quality for video evidence, but may not need the more advanced features of an IP camera, the **CA2 IR MicroDome** from March Networks[®] delivers 1080p resolution via an analog camera, using standard coax cabling. The camera integrates IR LEDs and Wide Dynamic Range to deliver high-quality images in a variety of lighting conditions, from bright light to complete darkness. This camera is compatible with the March Networks 8724 V Tribrid Recorder.



Key Benefits

- ▼ **HD 1080p resolution in an analog camera.** Get high-resolution images using the standard coax cabling that's already in place for your existing analog infrastructure.
- ▼ **Rugged aluminum housing.** The vandal-resistant metal housing withstands impact, and its IP66 rating protects the camera from dust and water intrusion.
- ▼ **Integrated IR.** The tiny, powerful micro-LEDs provide uniform illumination in total darkness; typically cameras this small do not offer IR.
- ▼ **Tool-free drop ceiling installation.** Poke a hole in the ceiling and tighten the bolts to install; no screws or tools required.
- ▼ **See color in low-light environments.** The camera's excellent low-light sensitivity lets you discern colors—even in near dark conditions—before the IR technology kicks in.
- ▼ **True Wide Dynamic Range (WDR).** When there are very bright and very dark areas in the camera's field of view, the bright areas do not appear saturated, and the dark areas are not shadowed.
- ▼ **Perfect for "ceiling down" views.** The 3.6mm lens provides the perfect angle for a straight down view of an area.
- ▼ **3-axis gimbal.** The camera's pan, tilt and rotation are adjusted by a single mechanism. This allows for single-handed positioning of the camera during installation and simplifies setup.
- ▼ **Icon-driven on-screen display.** For applications that require some fine-tuning, it's easy to make adjustments to the camera image via the easy-to-use on-screen display.

Upgrade from analog to high-definition surveillance using existing infrastructure, for a cost-effective, high-resolution surveillance solution.

CA2 IR MicroDome

CAMERA

Image Sensor	1/3" Panasonic Progressive Scan CMOS
Signal System	NTSC/PAL
Video Output	Universal: AHD
Frequency	60Hz / 50Hz
Signal Technology	2.0MP Universal
Wide Dynamic Range (WDR)	> 120dB
Active Pixel Count	1944 (H) x 1029 (V)
Resolution	1920 x 1080 (1080p @ 30fps)
Lens	2.8 – 3.6mm Varifocal lens
Horizontal Angle of View	85.8°
Minimum Illumination	Color: 0.06 Lux (F2.0, 30 IRE) B/W: 0 Lux (F2.0, 30 IRE)
Shutter Time	1/30 (25) ~ 30,000s
Synchronization	Internal
S/N Ratio	≥55dB
Adjustment Range	360° pan, 70° tilt
IR Wavelength	850nm
IR Illumination Distance	50 feet (15 m)
Number of micro LEDs	2 (high power)

KEY FUNCTIONS

Backlight	OFF / HME / BLC / WDR
Sense-Up	OFF / x2 – x32
WDR	OFF / LOW / MIDDLE / HIGH
DNR	OFF / LOW / MIDDLE / HIGH
White Balance	AUTO / AUTO-EX / PRESET / MANUAL
Day and Night	AUTO / COLOR / BW / EXTERN
AGC	0 - 10
Motion Detection	ON / OFF (4 programmable zones)
Privacy Zones	ON / OFF (16 programmable zones)
Sharpness	0 - 10
Gamma	0.45 – 0.75
Remote Control	Coaxial (UTC)

CONNECTORS

Input Power	12 VDC barrel mini-plug
Composite Video	BNC

ELECTRICAL

Voltage	12 VDC
Power Consumption	LED Off: 1.98W, 165mA LED On: 3.24W, 270mA

PHYSICAL

Construction	Aluminum with polycarbonate bubble
Dimensions (H x D)	2.38 x 4.13 in (60.7 x 105 mm)
Weight	0.77 lbs (349.3 g)
Operating Conditions	-4° to 122° F (-20° to 50° C)
Humidity	≤90% RH, non-condensing
IP Rating	IP66
Certification Model	C3001A

REGULATORY

Emissions	EN55032, FCC part 15
Immunity	EN50130-4
Safety	EN/IEC60950-1, UL/CSA60950-1

ACCESSORIES

Included	L wrench, screws, wall anchors, nuts and washers (for drop ceiling installation), video setup cable
----------	---

ORDERING INFORMATION

CAMERA	
35480-101	CA2 IR MicroDome

MOUNTING OPTIONS

